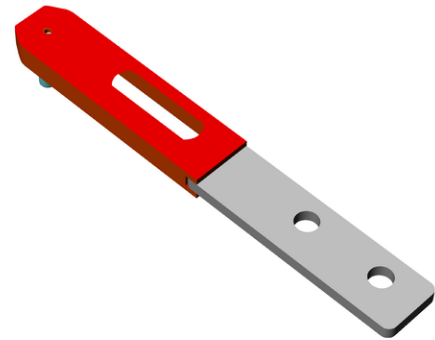


BETAETIGER-Z-GN (Order no. 072251)

Actuator for safety switches NZ.VZ, NZ.VZ.VS and TZ

- ▶ Two stainless-steel safety screws per actuator



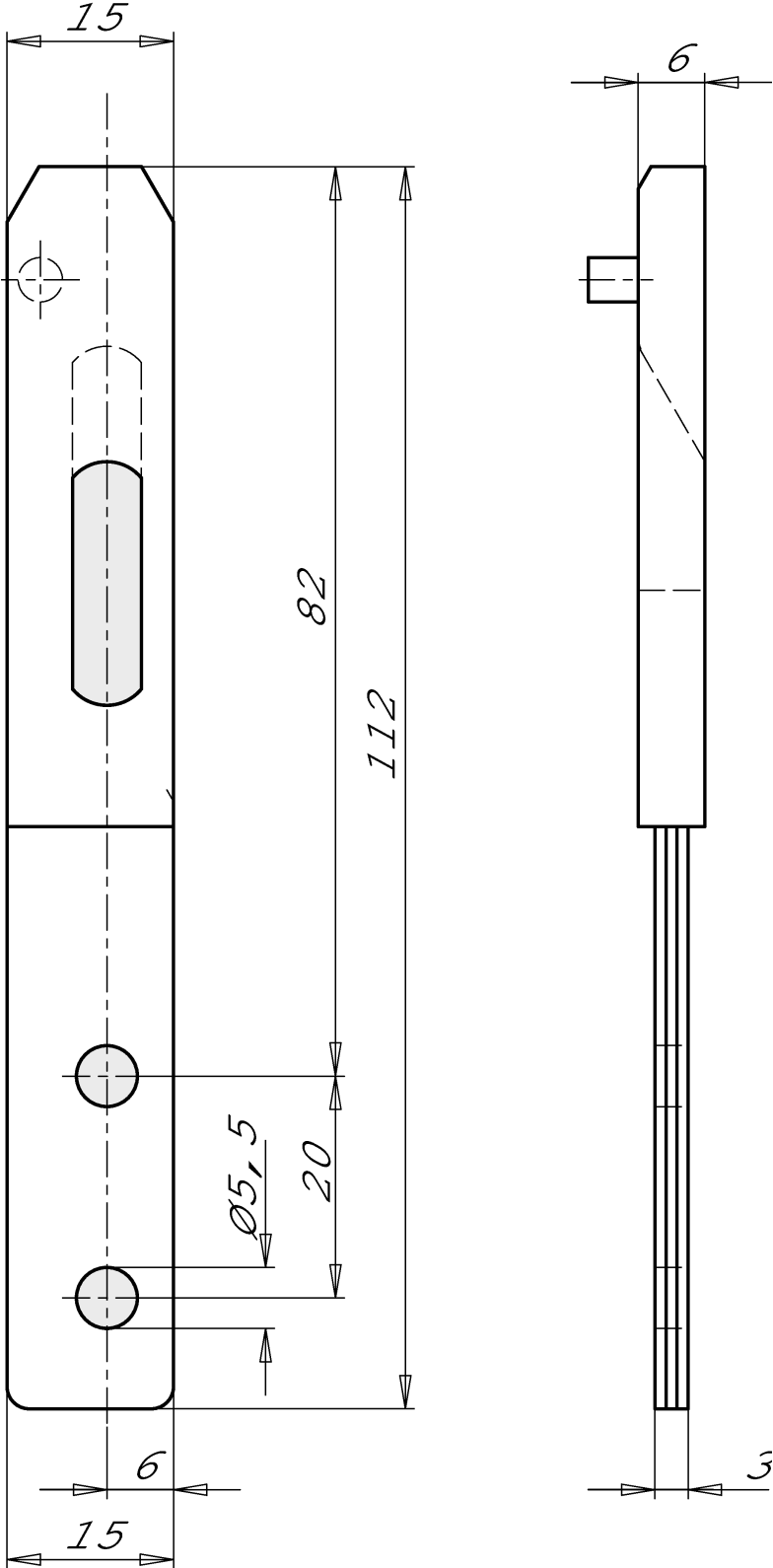
Straight actuator

The straight actuator is used on sliding doors or hinged doors with door radii greater than 1,000 mm. Safety screws prevent unscrewing of the actuators. The safety screws included can be inserted with a normal tool, but cannot be removed again.

Actuator with overtravel

16 mm For doors with large play

Dimensional drawings



Technical data

Approvals



Mechanical values and environment

Overtravel	max. 16 mm
Door radius	min. 1000 mm

Material	
Sheath	Plastic
Actuator	Galvanized steel
Screw	Stainless steel

Miscellaneous

Usability of insertion funnel	no
-------------------------------	----

Downloads

All documentation for this material can be found on our website:

<https://www.euchner.de/en-us/a/072251/?#downloads-tab>

Ordering data

Ordernumber	072251
Item designation	BETAETIGER-Z-GN
Gross weight	0,039kg
Customs tariff number	85389099990
ECLASS	27-27-26-06 Actuator for safety-related position switch

Accessories

Mounting accessories

Safety screws M5 x 10

073455

M5X10-NIRO/V100

- ▶ Safety screws M5 x 10
- ▶ Packaging unit 100 pieces